

# Residential/Light Commercial Surge Protective Device

## HOMEOWNER VERSION

# 400-1SL

The 400-1SL Meter Based SPD meets the current industry standards and stops surges right at the electric meter before they can enter the house. A field proven design since 1987.

Units are equipped with SUNBRIGHT® diagnostics with 1000 MCD LEDs that are fully visible in the brightest sunlight and have proven reliable in the field for over 20 years.

Units contain "smart sensing technology" that distinguishes between surges and overcurrent events. The product complies with all current and proposed safety requirements. The 400-1SL is a Type 1 Surge Protection Devices (SPD) that is Listed to UL 1449 3rd Edition 2009.

The integration of design, performance and safety features in the METER-TREATER makes it an ideal choice for Utility Power Quality Programs.

A 15 Year Product Warranty. Additional warranty terms are available.



Rated for 260 Amp (320 MAX) Continuous Service

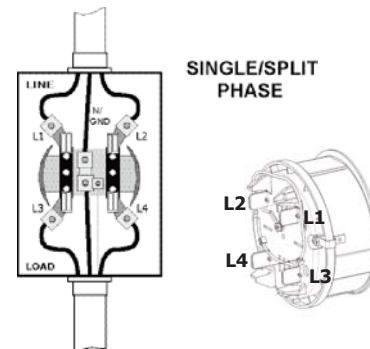
### Model Number: 400-1SL

Product Specifications		Notes
Applied Voltage*	120/240 Vac	
Max Surge Current	120kA (60kA per phase)	
MCOV*	180 Volts	
Max Load Current*	260 Amps Continuous (320 MAX)	
Short Circuit Current* <sup>1</sup>	10k RMS Symmetrical Amps	
Housing Rating	3R (UL 414) with UV inhibitors	
Product Weight	2.5 lbs.	
Product Dimensions	4.2" x 6.9" (2.45" installed depth)	
Connection Method	Meter Base 4/5 Jaw Blades	
Surge Technology	MOV Blocks	
Operating Temperature*	-40 to +140 F (-40 to +60 C) ±10%	
Operating Frequency	50/60 Hz	
Operating Altitude	-200 ft. to +15,000 ft.	
Diagnostics	Red Status LED, SUNBRIGHT	
Safety Standards (Type 1 SPD)	UL 1449 3rd Ed. (Sept. 2009)	
VPR (Suppressed Voltage)*	500 Volts (8x20μs, 6kV/3kA)	
I <sub>n</sub> *	20 kA (nominal discharge current)	

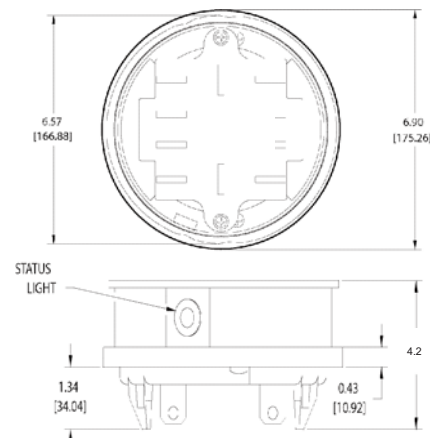
<sup>1</sup>No external fusing used. Electric meter included in testing.

\*Required by UL 1449 3rd Edition

### Installation



### Dimensions



### Meter-Treater, Inc.

1349 South Killian Drive, Lake Park, Florida, 33403

**Tel: Main** (561) 845-2007  
**Sales** (800) 638-3788  
**Fax:** (561) 848-2372  
**E-Mail:** sales@metertreater.com  
**Web:** www.metertreater.com