

# Low Profile Surge Protective Device

## 575-1SL-A

The 575-1SL-A Meter Based SPD is Listed to the current industry standards and stops surges right at the electric meter before they can enter the house. The 575-1SL-A is based on a proven design that has been in the field since 1987.

Units are equipped with SUNBRIGHT® diagnostics with 1000 MCD LEDs that are fully visible in the brightest sunlight and have proven reliable in the field for over 20 years.

Units contain large diameter MOVs with "smart sensing" technology that distinguishes between surges and overcurrent events. The product complies with all current and proposed safety requirements. The 575-1SL-A is a Type 1 Surge Protective Device (SPD) that is Listed to ANSI/UL 1449 3rd Edition 2009.

A 15 Year Product Warranty and concurrent Consequential Warranty are included (residential applications only). Additional warranty terms are available.



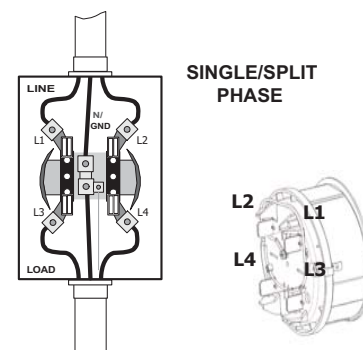
### Model Number: 575-1SL-A

Product Specifications		Notes
Applied Voltage*	120/240 Vac (120V L-G)	
Max Surge Current	120kA (60kA per phase)	
MCOV*	175 Volts (uses large diameter MOVs)	
Max Load Current	320 Amps (260 Amps Continuous) attained in HQ-5 L&G 240 Amps (200 Amps Continuous) attained in UAT-4 L&G	
Short Circuit Current* <sup>1</sup>	10k RMS Symmetrical Amps	
Housing Rating	3R (UL 414) with UV inhibitors	
Product Weight	1.4 lbs.	
Product Dimensions	3.2" x 6.9" (1.5" installed depth)	
Connection Method	Meter Base 4/5 Jaw Blades	
Operating Temperature*	-40 to +140 F (-40 to +60 C) ±10%	
Operating Frequency	50/60 Hz	
Operating Altitude	-200 ft. to +15,000 ft.	
Diagnostics	Red Status LED, SUNBRIGHT	
Safety Standards (Type 1 SPD)	ANSI/UL 1449 3rd Ed. (Sept. 2009)	
VPR (Suppressed Voltage)*	600 Volts (8x20µs, 6kV/3kA)	
I <sub>n</sub> *	20 kA (nominal discharge current)	

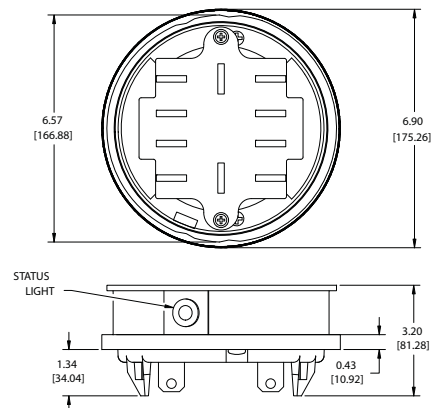
\*Required by ANSI/UL 1449 3rd Edition

<sup>1</sup>No external fusing used. Electric meter included.

### Installation



### Dimensions



**Meter-Treater, Inc.**

1349 South Killian Drive, Lake Park, Florida, 33403

**Tel: Main** (561) 845-2007

**Sales** (800) 638-3788

**Fax:** (561) 848-2372

**E-Mail:** sales@metertreater.com

**Web:** www.metertreater.com