

Commercial Three Phase Surge Protective Device

675 SERIES

The 675 Series Meter Based SPD meets the current industry standards and stops surges right at the electric meter before they can enter the house. A field proven design since 1987.

Units are equipped with SUNBRIGHT® diagnostics with 1000 MCD LEDs that are fully visible in the brightest sunlight and have proven reliable in the field for over 20 years.

All units contain short circuit and thermal fusing, a "smart sensing technology" that distinguishes between surges and overcurrent events. The product complies with all current and proposed safety requirements. The 675 Series is a Three Phase Wye Type 1 Surge Protection Devices (SPD) that is Listed to UL 1449 3rd Edition 2009.

The integration of design, performance and safety features in the METER-TREATER makes it an ideal choice for Utility Power Quality Programs.

The Standard 10 Year Product Warranty is included. Additional warranty terms are available.



Rated for 200 Amp (250 MAX) Continuous Service
260 Amp (320 MAX) pending

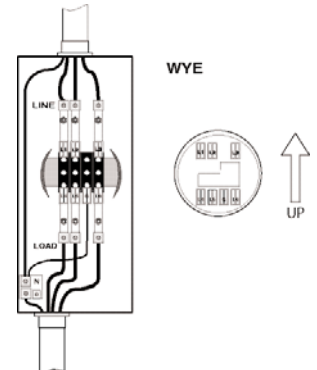
Model Number: 675-3PA

Product Specifications		675-3PA (480V)
Applied Voltage*	260 Vac MAX	277 Vac MAX
Max Surge Current	100kA (50kA per phase)	
MCOV*	270 Volts	320 Volts (277/408)
Max Load Current*	200 Amps Continuous (250 MAX)	
Short Circuit Current* ¹	10k/25k RMS Symmetrical Amps	
Housing Rating	3R (UL 414) with UV inhibitors	
Product Weight	3 lbs.	
Product Dimensions	4.2" x 6.9" (2.45" installed depth)	
Connection Method	Meter Base 7 Jaw Blades	
Fusing	Thermal and Short Circuit Fusing	
Operating Temperature*	-40 to +140 F (-40 to +60 C) ±0%	
Operating Frequency	50/60 Hz	
Operating Altitude	-200 ft. to +15,000 ft.	
Diagnostics	Red Status LED, SUNBRIGHT	
Safety Standards (Type 1 SPD)	UL 1449 3rd Ed. (Sept. 2009)	
VPR (Suppressed Voltage)*	1200 Volts (8x20µs, 6kV/3kA)	
I _n *	20 kA (nominal discharge current)	

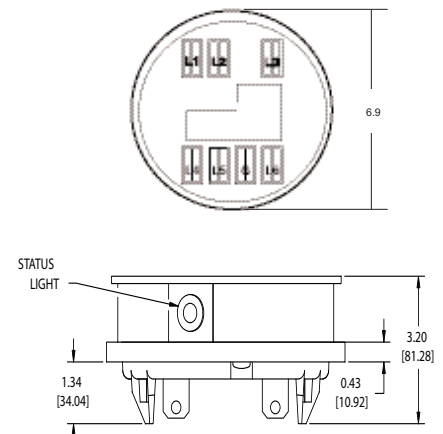
¹No external fusing used. Electric meter included.

*Required by UL 1449 3rd Edition

Installation



Dimensions



Meter-Treater, Inc.

1349 South Killian Drive, Lake Park, Florida, 33403

Tel: Main (561) 845-2007
Sales (800) 638-3788
Fax: (561) 848-2372
E-Mail: sales@metertreater.com
Web: www.metertreater.com