

WARRANTY INFORMATION

Meter-Treater, Inc. (M-Ti) warrants to its customers that the hardware products that M-Ti manufactures and sells will be free from defects in material and workmanship. Warranty coverage is for fifteen (15) years starting from the date of installation, but no longer than sixteen (16) years from the date of the original shipment from M-Ti. If any such product proves defective during the applicable warranty period, M-Ti, at its discretion, will repair without charge for parts and labor or will provide a replacement in exchange for the defective product. THESE WARRANTY TERMS ARE FOR RESIDENTIAL INSTALLATIONS ONLY.

This warranty shall not apply to any defect, failure, and/or damage caused by improper use, or inadequate maintenance or care. M-Ti shall not be obligated to furnish service under this warranty (a) to repair damage resulting from connection to incompatible equipment; or (b) to service a product that has been modified, altered or integrated with other products.

For additional warranty information contact M-Ti at (800) 342-6890.

WARRANTY RETURNS

All warranty and non-warranty repairs must be returned freight prepaid and insured to **MTI**. All returns must have a Return Materials Authorization (RMA) number on the outside of the shipping container. This number may be obtained from **MTI** Customer Service at (800) 342-6890.

Products returned without an RMA number will not be accepted.

NOTE

IF UNIT(S) ARE RECEIVED DAMAGED, NOTIFY THE SHIPPING COMPANY IMMEDIATELY. RETAIN ALL SHIPPING CONTAINERS AND PACKING MATERIALS FOR INSPECTION.

Meter-Treater, Inc.

1349 South Killian Drive, Lake Park, Florida 33403

Phone: (561) 845-2007 Fax: (561) 848-2372

E-mail: sales@metertreater.com

Website: www.metertreater.com

CL320 Series Meterbase Surge Protective Device



ETL Listed to UL 1449 3rd Edition

**SURGE PROTECTIVE DEVICES
FOR
AC POWER APPLICATIONS**

**RESIDENTIAL/COMMERCIAL
INSTALLATIONS**

**USER MANUAL
AND
INSTALLATION GUIDE**

⚠ DANGER

HAZARD OF ELECTRIC SHOCK, EXPLOSION, OR ARC FLASH

Thoroughly read and comprehend all instructions before commencing installation. This equipment must be installed by qualified electrical personnel in accordance with all applicable codes which supersede these instructions. Improper installation or misapplication of these devices may result in death or serious injury. Failure to follow these instructions could result in damage to the electrical system(s) or related equipment. Apply appropriate Personal Protective Equipment (PPE) and follow safe electrical work practices. See NFPA 70E.

⚠ CAUTION

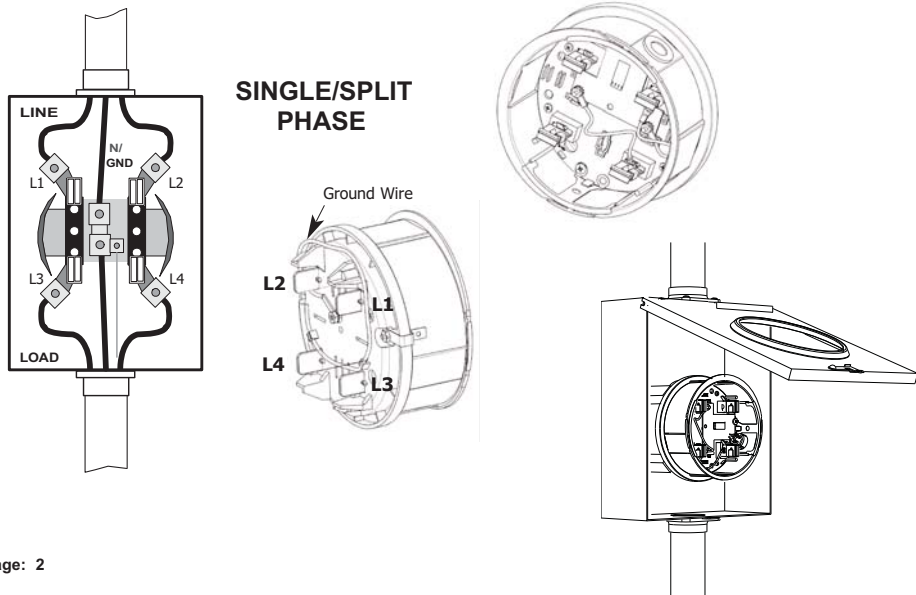
HAZARD OF ELECTRIC SHOCK, EXPLOSION, OR ARC FLASH

Never install this unit if it has fallen, has been dropped or looks damaged in any way. Return device to factory for diagnostic testing.

WARNING

HAZARD OF EQUIPMENT DAMAGE

This device does NOT contain serviceable parts. Do NOT attempt to test this device, damage may occur. Any alterations, tampering, misuse or unauthorized repairs of this product will void it's original factory warranty. Never install on an ungrounded system.



INSTALLATION

1. Verify that the home has single-phase service and that the meter conforms properly with the Meter-Treater®. This unit was designed for residential, commercial and light industrial loads that do not draw more than 320 amps continuous.
2. Notify customer that the power will be off momentarily. Disconnect any large inductive loads such as air conditioners or pumps.
3. While wearing full face and hand protection, remove the meter and inspect the neutral/ground bond inside the meter-can. Correct any problems before proceeding. Good grounding is important.

DANGER, THERE IS LETHAL VOLTAGE INSIDE THE METER-CAN EVEN WITH THE METER REMOVED!!!!

4. If this unit is provided with a ground wire (green) it must be attached to the neutral/ground bond inside the meter-can, to the ground wire with a split bolt, or to the meter-can itself with a self-drilling self-tapping sheet metal screw using a power driver. Units with a fifth jaw at the nine o'clock position do not require the auxiliary ground wire.

INSURE THAT THE GREEN GROUND WIRE DOES NOT MAKE CONTACT WITH EITHER LEG OF SERVICE.

GROUND WIRE SHOULD BE ATTACHED SO THAT IT WILL LOOP DOWN IN METER-CAN.

5. This device has improved jaw blades ensuring better current handling capabilities. In accordance with ANSI standards, a slightly higher insertion force may be required to install a meter into a Meter-Treater.
6. A service cutoff cap (plastic disconnect cover) must be installed over the face of the Meter-Treater® as a precaution during the insertion of the Meter-Treater into the socket.
7. Never pry open, grease, or alter the jaw receptacles in the Meter-Treater®.
8. Re-seal meter. **WHEN USING AN ADDITIONAL LOCKING/SEALING RING (screw lock is recommended), BE SURE IT IS INSTALLED IN THE PROPER DIRECTION AND SNUG.** Re-seal Meter-Treater® and verify proper meter operation. Deliver or advise customers that single outlet protectors, cable TV, and phone line protectors are recommended for protection of their more sensitive equipment.

PLEASE CALL OUR HELP LINE SHOULD YOU HAVE ANY QUESTIONS BEFORE INSTALLATION 1-800-638-3788.