

Indoor/Outdoor Coaxial Line Surge Protective Device

CLT-XT SERIES

Transient Voltage Surge Suppression for digital cable TV and high speed cable modem lines. Units provide protection against transient voltages that exceed the nominal operating voltage of cable lines. Each line is protected against surge current impulses up to 10kA/wire.



The **CLT Series** installs in series with the coaxial cable lines to be protected, diverting harmful transient energies to ground while maintaining close clamping thresholds above normal service voltages. Units are designed to operate in a wide temperature range.

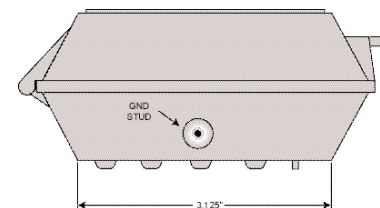
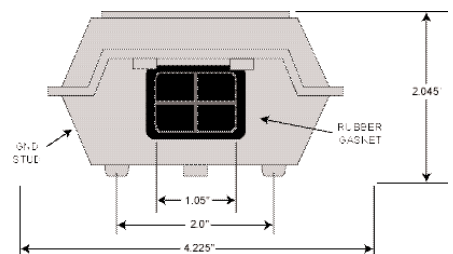
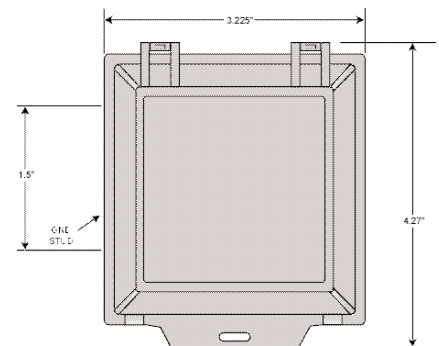
UL Listed to 497B for Surge Protectors

Model Number: CLT/XT-010-UCTV-F/F

Dimensions

Product Specifications

Max. Surge Current	10kA
Interface	Bi-directional
Response Time	Typically <1 picosecond
Series Resistance	None
Frequency Range	0 - 1.2 GHz
Insertion Loss	<2db @ 1.2 GHz
Max. Operating Voltage	27 Volts
Clamping Voltage	36 Volts
Connectors	Female "F" Connector
Enclosure	Indoor/Outdoor Use Rated
Max. Operating Temp	-40 to +85 C
Warranty	10 Year Product Warranty



Designed for indoor or outdoor use.



Meter-Treater, Inc.

1349 South Killian Drive, Lake Park, Florida, 33403

Tel: Main (561) 845-2007

Sales (800) 638-3788

Fax: (561) 848-2372

E-Mail: sales@metertreater.com

Web: www.metertreater.com