

WARRANTY INFORMATION

Meter-Treater, Inc. (M-Ti) warrants to its customers that the hardware products that M-Ti manufactures and sells will be free from defects in material and workmanship. Warranty coverage is for ten (10) years starting from the date of installation, but no longer than eleven (11) years from the date of the original shipment from M-Ti. If any such product proves defective during the applicable warranty period, M-Ti, at its discretion, will repair without charge for parts and labor or will provide a replacement in exchange for the defective product.

This warranty shall not apply to any defect, failure, and/or damage caused by improper use, or inadequate maintenance or care. M-Ti shall not be obligated to furnish service under this warranty (a) to repair damage resulting from connection to incompatible equipment; or (b) to service a product that has been modified, altered or integrated with other products.

For additional coverage information, please see "A Ten Year Surge Suppressor 'Limited' Warranty".

WARRANTY RETURNS

All warranty and non-warranty repairs must be returned freight prepaid and insured to **MTI**. All returns must have a Return Materials Authorization (RMA) number on the outside of the shipping container. This number may be obtained from **MTI** Customer Service at (800) 342-6890.

Products returned without an RMA number will not be accepted.

NOTE

IF UNIT(S) ARE RECEIVED DAMAGED, NOTIFY THE SHIPPING COMPANY IMMEDIATELY.
RETAIN ALL SHIPPING CONTAINERS AND PACKING MATERIALS FOR INSPECTION.

Meter-Treater, Inc.

1349 South Killian Drive, Lake Park, Florida 33403

Phone: (561) 845-2007 Fax: (561) 848-2372

E-mail: sales@metertreater.com

Website: www.metertreater.com

HLP Series Lighting Surge Protective Device



**SURGE PROTECTIVE DEVICES
FOR
AC POWER APPLICATIONS**

COMMERCIAL INSTALLATIONS

**USER MANUAL
AND
INSTALLATION GUIDE**

DANGER

HAZARD OF ELECTRIC SHOCK, EXPLOSION, OR ARC FLASH

Thoroughly read and comprehend all instructions before commencing installation. This equipment must be installed by qualified electrical personnel in accordance with all applicable codes which supersede these instructions. Improper installation or misapplication of these devices may result in death or serious injury. Failure to follow these instructions could result in damage to the electrical system(s) or related equipment. Apply appropriate Personal Protective Equipment (PPE) and follow safe electrical work practices. See NFPA 70E.

CAUTION

HAZARD OF ELECTRIC SHOCK, EXPLOSION, OR ARC FLASH

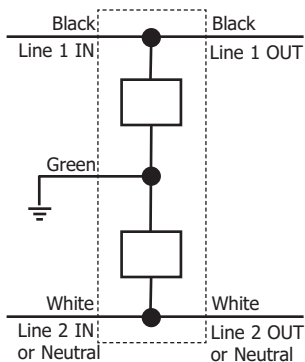
Never install this unit if it has fallen, has been dropped or looks damaged in any way. Return device to factory for diagnostic testing.

WARNING

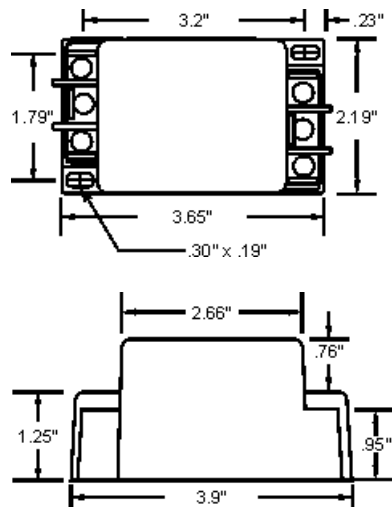
HAZARD OF EQUIPMENT DAMAGE

This device does NOT contain serviceable parts. Do NOT attempt to test this device, damage may occur. Any alterations, tampering, misuse or unauthorized repairs of this product will void its original factory warranty. Never install on an ungrounded system.

Schematic



Dimensions



INSTALLATION

- 1) This document provides detailed information on how to install and operate the **HLP Series** of Surge Protective Devices (SPDs).
- 2) Units should be installed per the information and illustrations provided herein.
- 3) The **HLP Series** of Surge Protective Devices are installed/connected in series with the line and the equipment to be protected.
- 4) Identified or indicated Leads/Wires must be connected exactly with respect to the power feeding/supplying the SPD and equipment. Failure to do so may result in damage to the SPD, the equipment/system or pose a danger to personnel.
- 5) Incorrect installation may significantly impair the performance of the SPD. It is particularly important that all installation procedures and guidelines be followed exactly.
- 6) Before starting any installation procedures, verify service voltages (AC or DC) with a volt meter to ensure that the correct model has been selected for the supply voltage.
- 7) DO NOT INSTALL THE SPD IF MEASURED VOLTAGE EXCEEDS UNIT RATINGS.
- 8) The SPD *MUST BE* mounted in an enclosure to assure personnel safety from exposed terminals.
- 9) REMOVE POWER FROM ELECTRICAL SYSTEM PRIOR TO INSTALLATION.
- 10) The SPD should be positioned as the last device in the circuit prior to protected equipment.
- 11) The SPD Line/Load designations are for orientation purposes only and do not effect the install.
- 12) Mechanically mount the SPD utilizing the mounting tabs.
- 13) a) Connect "**LINE**" Side:
 - * System Ground to the terminal labeled "G".
 - * Neutral or Line 2 wire to the terminal labeled "L2".
 - * HOT wire to the terminal labeled "L1".b) Connect "**LOAD**" Side:
 - * System Ground to the terminal labeled "**G**" (connect safety ground directly to enclosure ground).
 - * Neutral or Line 2 wire to the terminal labeled "L2".
 - * HOT wire to the terminal labeled "L1".
- 14) ENSURE THAT ALL CONNECTIONS ARE CORRECT BEFORE ENERGIZING.
- 15) Apply power (energize). If unit equipped with LED, LED indicator should illuminate. If light fails to illuminate contact supplier. If LED is out, unit requires service.
- 16) Keep this MANUAL in a safe dry place for future reference.