

Highway Lighting Protection Device

HLP SERIES

The HLP Series is designed to protect highway lighting from surges. The products features include:

- Weatherproof
- No Follow Current
- Line-to-Ground Protection
- Solid State Design

Model Number: **HLP020-120-3**
 HLP020-240-3
 HLP020-480-3

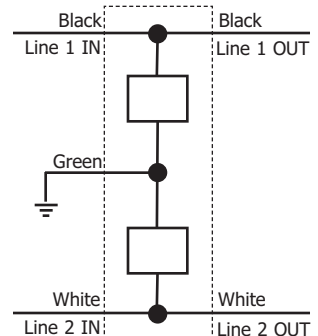
For optional LED Indicator Light add L to the end of the Model Number



Model HLP020-480-3L shown above with optional LED Indicator Light

Product Specifications	HLP-020-120-3	HLP-020-240-3	HLP-020-480-3
Max Surge Current	20kA	20kA	20kA
Response Time	5 nanoseconds	5 nanoseconds	5 nanoseconds
Clamp Voltage	240 @ 1 ma (Vpeak) 380 @ 200 amps	430 @ 1 ma (Vpeak) 760 @ 200 amps	1050 @ 1 ma (Vpeak) 1400 @ 200 amps
Max Allowable Voltage	150 AC RMS	275 AC RMS	550 AC RMS
Current Drain	100 microamps	100 microamps	100 microamps
Insulation to Ground	> 600 volts	> 600 volts	> 600 volts
Lighting Application	120 VAC	240 VAC	480 VAC

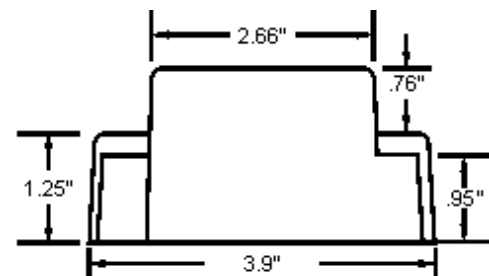
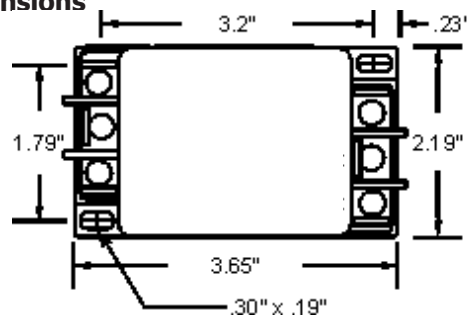
Schematic



Wiring

Lead Length	Gauge	Color	Connection
22"	6	Green	Ground
12"	10	Black	Line 1 (HOT)
12"	10	White	Line 2 (HOT)

Dimensions



Meter-Treater, Inc.

1349 South Killian Drive, Lake Park, Florida, 33403

Tel: Main (561) 845-2007
Sales (800) 638-3788
Fax: (561) 848-2372
E-Mail: sales@metertreater.com
Web: www.metertreater.com