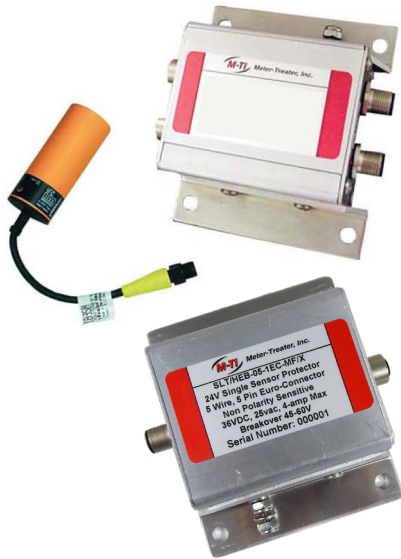


M-Ti SLT HEB Series

High Energy Surge Protection Device for Sensors



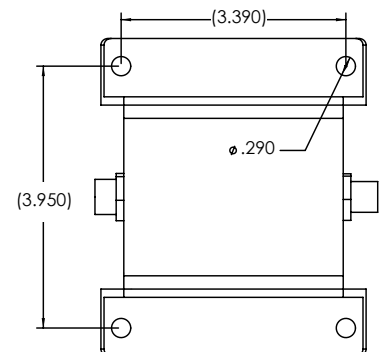
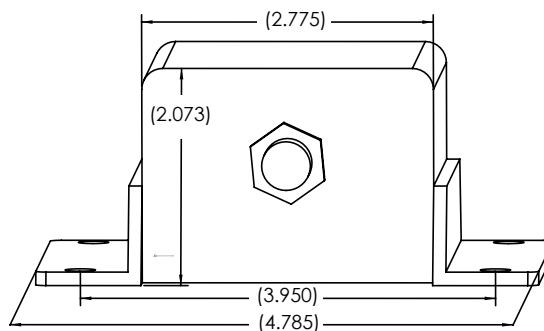
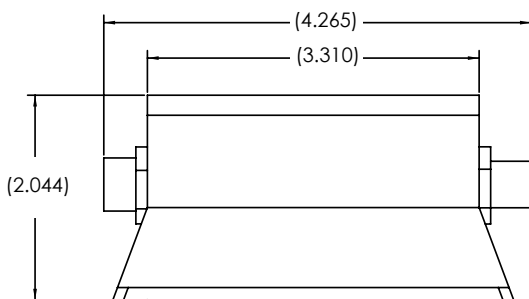
The **SLT/HEB Series** of protectors is available as either a 4, 5, 8, or 10 Wire SPD (surge protective device) unit that will interface directly, in series, with 4 or 5 pin M12/Euro/DC Micro Connectors. Models are **unidirectional** due to connector configuration; where the male connector equals Line Side (unprotected) and the female equals the Load Side (protected). Circuit performance is bidirectional.

Unit is housed in a potted aluminum case with aluminum end caps. An external ground stud is provided in addition to the two (2) grounded mounting brackets that are bolted to the case.

<i>Product Specifications</i>	
Maximum Surge Current	8kA
Maximum Operating Voltage	36 Volts DC
Maximum Operating Frequency	15 MHz
Maximum Clamp Voltage	54.4 Volts @ 200 Amps/450 Volts
Surge Technology	High Energy Silicon Avalanche Diode Array (SAD)
Energy Rating/Wire	402.5 Joules
Response Time	<1 Picosecond
UL Flammability Class	94 V-0
Listings & Certifications	UL Listed
Connectors	4 or 5 Pin Rigid M12 Connectors Male & Female (DC Micro - Euro)
Enclosure	Aluminum Extrusion with Aluminum End Caps
Maximum Operating Temperature	-40°C to 125°C

<i>Model Number</i>	<i>Number of Wires</i>
SLT/HEB-04-1EC-MF/X	4 Wires (1 Connector)
SLT/HEB-05-1EC-MF/X	5 Wires (1 Connector)
SLT/HEB-08-2EC-MF/X	8 Wires (2 Connector)
SLT/HEB-10-2EC-MF/X	10 Wires (2 Connector)

Dimensions (Diagrams not drawn to scale)



All product dimensions provided are ± 0.125

800.638.3788
561.845.2007

sales@metertreater.com



www.metertreater.com



1349 South Killian Drive
Lake Park, FL 33403