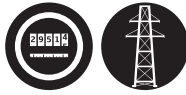




400 Series

The Original METER-TREATER® | 2.4" Standoff



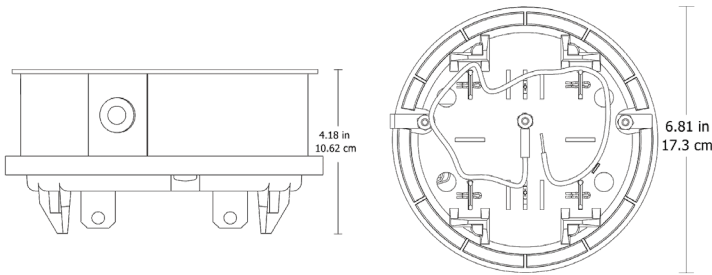
Rated for **260 Amp Continuous Service**
(320 Amp MAX)

i The **400 Series Meter-Based SPD** stops surges right at the electric meter, before they can enter your building.

Units are equipped with bright **red status LEDs** that are fully visible in the brightest sunlight allowing fast and accurate readings in the field.

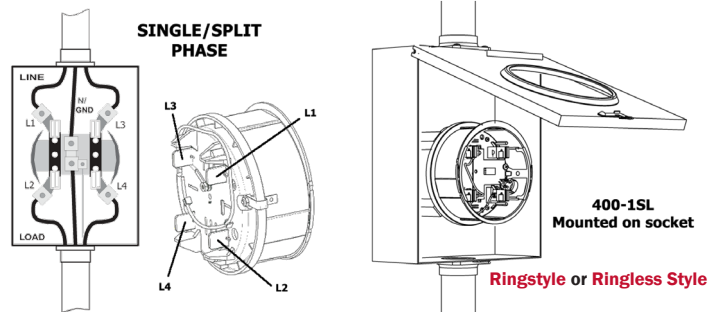
The product complies with all current safety requirements. The 400 Series is a Type 1 Surge Protection Device (SPD) listed to **ANSI/UL 1449 and ANSI/UL 414**.

The integration of design, performance and safety features in the METER-TREATER® makes it an ideal choice for Utility Power Quality Programs. A **15 Year Product Warranty** and concurrent Extended Warranty for downstream white appliances are included†.



Dimensions

(Diagrams not drawn to scale)



Typical Installations

Product Specifications

Load Current	320 Amps Max (260 Amps Continuous) 250 Amps Max (200 Amps continuous)	Most Current Industry Standards	ANSI/UL 1449
Max Surge Current (8/20) I _{max}	120 kA (60 kA per phase)	Surge Technology	MOV
Short-Circuit Current Rating (SCCR)	10 kA RMS Symmetrical	Operating Temperature	-40 °F to +140 °F (-40 °C to +60 °C) 10% ±
Repetitive Impulse Rating (I _n)	20 kA	Operating Frequency	47-63 Hz (50/60 Hz Typ.)
On/Off Status ♦	LED*	Fusing	Surge/ Thermal
Housing Rating	NEMA 3R	Enclosure	Polycarbonate with UV inhibitors
Product Weight	1.8 lbs	Response Time	< 1 Nanosecond
Product Dimensions	4.18" x 6.81" (2.4" installed depth)	Listings & Certifications	Listed to ANSI/UL 1449, ANSI/UL 414
Connector Form/ Type	ANSI Meter-form	Warranty	15 Year Limited Product Warranty
		Connector Method	Plug-in w/ Ground Wire
		Relative Humidity	95% noncondensing

Model Number	Service Voltage	MCOV	VPR	Continuous Rating	MAX Surge Rating	# Jaw Blades
400-1SL	120/240	150V	500V	260A	320A	4
400-1SL-5J	120/208	150V	500V	260A	320A	5
5TH Jaw Kit	120/240	150V	500V	260A	320A	1

† Concurrent extended warranty is only applicable for residential customers participating in a utility residential surge protection program and for those utilities requesting the extended warranty.

♦ If light is out, unit must be serviced

* Two red LED's - one monitors each phase