

M-Ti RCHW-PC Series

Universal Surge Protection Device



1/2" or 3/4" available in either location

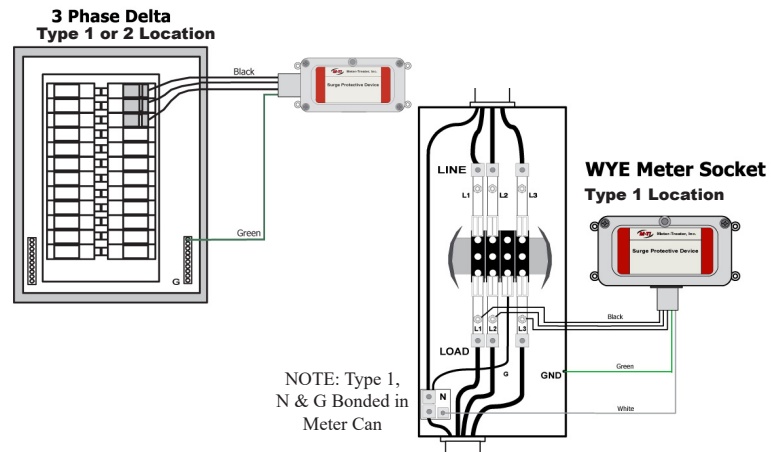
Meter Treater's RCHW-PC Series, represents a new era in surge protection with our "one size fits all" application flexibility. All units contain thermal fusing, and our "Smart Sensing Technology" that distinguishes between surges and overcurrent events.

This suppressor package meets all current industry standards. The RCHW-PC Series is a Type 1/Type 2 Surge Protection Device (SPD) that is listed to ANSI/UL 1449.

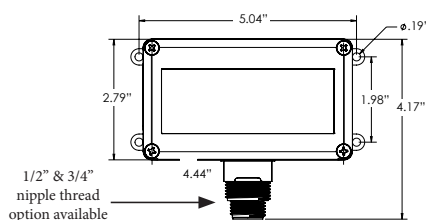
The inventive design, performance and universal application features of the RCHW-PC, make it an ideal choice for Residential, Commercial and Industrial applications.

Product Specifications	
I_n	10/20kA (Nominal discharge current)
Max Surge Current	50kA per phase
Max Load Current	up to 800 Amps Continuous
Fusing*	Thermal
Short Circuit Current	100kA RMS Symmetrical Amps
Diagnostics	LED
Housing Rating	NEMA 4, 4X, 6
Enclosure	Polycarbonate
Safety Standards (Type 1 SPD)	UL 1449
Operating Frequency	50/60 hZ
Nipple Size	1/2" or 3/4" universal
* No external fusing required. Note: Other options available. Contact the factory.	

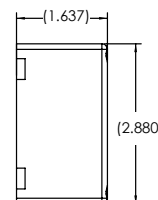
Typical Installations



Model Number	Service Voltage	MCOV	VPR			
			L - N	L - G	N - G	L - L
RCHW050/120-10-0-2-PC/M	120 Single	150	600	600	1200	-
RCHW050/120-1P-0-2-PC/M	120 Volt	150	600	---	---	---
RCHW050/120-SO-0-1-PC/M	120/240 Volt	150	600	---	---	1200
RCHW050/125-SO-0-1-PC/M	12/240 Volt	150	600	---	---	1200
RCHW050/120-SP-0-2-PC/M	120/240 Split	150	600	1200	600	1200
RCHW050/120-3W-0-2-PC/M	120/208 Wye	150	600	1200	600	1200
RCHW050/120-3H-0-2-PC/M	120/240 Highleg	150	600/1000	1200/1800	600	1200/1800
RCHW050/240-3D-0-2-PC/M	240 Delta	320	-	1000	-	2000
RCHW050/240-2P-0-1-PC/M	240 Volt Two Phase	320	-	1000	-	2000
RCHW050/277-3W-0-2-PC/M	277/480 Wye	320	1000	2000	1000	2000
RCHW050/480-3D-0-2-PC/M	480 Delta	550	-	1800	-	4000
RCHW100/120-10-0-1-PC/M	120 Volt Single Phase	150	600	600	1200	-



Dimensions
(Diagrams not drawn to scale)



All product dimensions provided are ± 0.125"

800.638.3788
561.845.2007

sales@metertreater.com



www.metertreater.com



1349 South Killian Drive
Lake Park, FL 33403