

M-Ti 675 Series

Meter Based Surge Protection Device - Three Phase - Standard



The **675-3PAL Meter Based SPD** built above the current industry standards, stops surges right at the electric meter, before they can enter your home or business.

Units are equipped with **SUNBRIGHT® diagnostics** with 1000 MCD LEDs that are fully visible in the brightest sunlight allowing fast and accurate readings in the field.

Units contain “**Smart Sensing Technology**” that distinguishes between surges and overcurrent events. The product complies with all current and proposed safety requirements. The 675-3PAL is a Type 1 Surge Protection Device (SPD) that is Listed to **ANSI/UL 1449**.

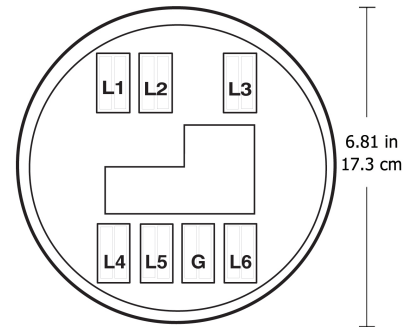
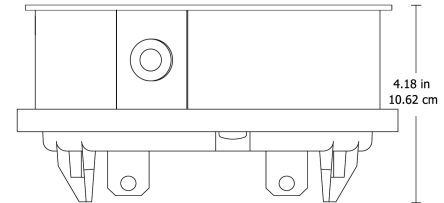
The integration of design, performance and safety features in the **METER TREATER** makes it an ideal choice for Utility Power Quality Programs. A **15 Year Product Warranty** and concurrent Extended Warranty for downstream white appliances are included†.

Rated for 200 Amp (250 Max) Continuous Service

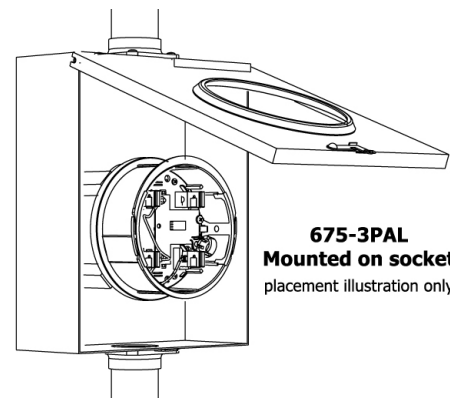
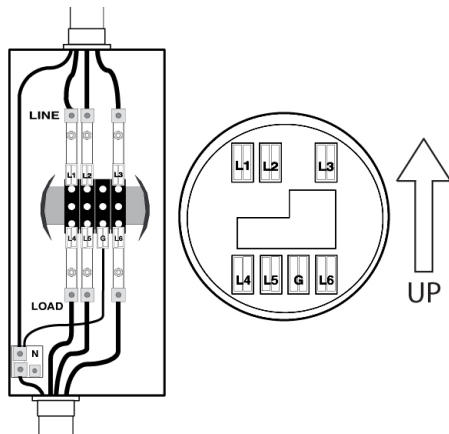
Product Specifications	
Applied Voltage	260 Vac MAX
Max Surge Current	150kA (50kA per phase)
Max Load Current	250 Amps (200 Amps Continuous) attained in HQ-5B L&G
MCOV	270 Volts
Short Circuit Current	10k RMS Symmetrical Amps
Housing Rating	3R (UL 414) with UV inhibitors
Product Weight	3.0 lbs.
Product Dimensions	4.18" x 6.81" (2.45" installed depth)
Diagnostics	Red Status LED, SUNBRIGHT
Safety Standards (Type 1 SPD)	UL 1449 & UL 414 (most current)
VPR (Suppressed Voltage)	1000 Volts (8x20µs, 6kV/3kA)
I _n (nominal discharge current)	20 kA
Connection Method	Meter Base 7 Jaw Blades
Surge Technology	MOV
Operating Temperature	-40° to +140°F (-40° to +60°C)10%+-
Operating Frequency	50/60 Hz
†Concurrent extended warranty is only applicable for customers participating in a utility residential surge protection program and for those utilities requesting the extended warranty.	

Available Models/Options	
675-3PAL	7 Jaws (Standard)

Dimensions (Diagrams not drawn to scale)



Typical Installations



All product dimensions provided are ± 0.125

800.638.3788
561.845.2007

sales@metertreater.com



www.metertreater.com



1349 South Killian Drive
Lake Park, FL 33403