



RCHW050/120-2P-0-1

Residential Utility Program Hardwired Surge Protection Device



The RCHW050/120-2P-0-1 hardwired unit provides superior control over transients by delivering low clamping voltages combined with high surge energy handling capabilities. This unit is a Type 1 Surge Protection Device that is listed to ANSI/UL 1449 and offers optional RF filtering for Residential applications.

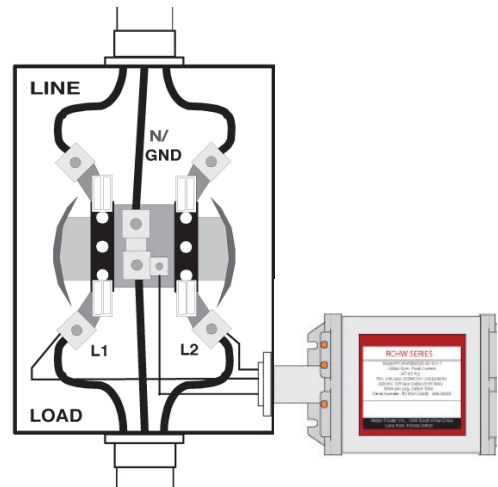
The RCHW is designed specifically for use in a residential utility surge protection program. It is configured for quick and easy parallel installation and requires little maintenance while in service. The high energy handling capabilities of the RCHW is due to the utilization of large diameter MOV technology.

Model Number	Service Voltage	MCOV	VPR			
			L - N	L - G	N - G	L - L
RCHW050/120-2P-0-1	120/240 Split Phase	150	600	--	--	1200

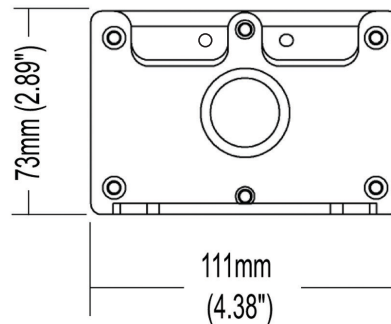
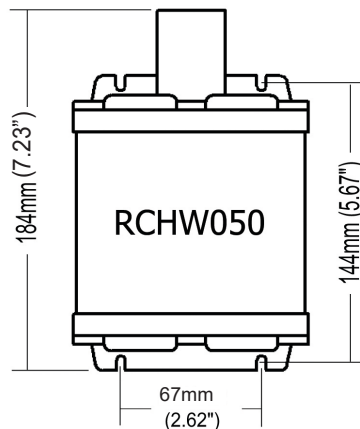
*Other Voltages Available

Product Specifications	
Max Surge Current	50kA per Phase
Safety Approvals	UL 1449 4th Edition & UL 1283
Diagnostics	LED indicator
I _n (nominal repedative impulse current)	20 kA
Short Circuit Protection	Coordinated Surge & Thermal
Short Circuit Current	100kA RMS Symmetrical
Housing Rating	NEMA 4 or 4X (FLEX)
Enclosure	Extruded aluminum with plastic end caps
Flexible Elbow option available	/FLEXELB
Filtering option available	Replace (0) with (F) in model number

Typical Installations



Dimensions (Diagrams not drawn to scale)



All product dimensions provided are ± 0.125in

Meter Treater Inc.: 1349 South Killian Drive • Lake Park, FL 33403

Email: sales@metertreater.com

Sales: 561.845.2007 Toll: Free: 800.638.3788 Fax: 561.848.2372

Website: www.metertreater.com



RCHW100/120-2P-0-1

Residential Utility Program Hardwired Surge Protection Device



The RCHW100/120-2P-0-1 hardwired unit provides superior control over transients by delivering low clamping voltages combined with high surge energy handling capabilities. This unit is a Type 1 Surge Protection Device that is listed to ANSI/UL 1449 and offers optional RF filtering for Residential applications.

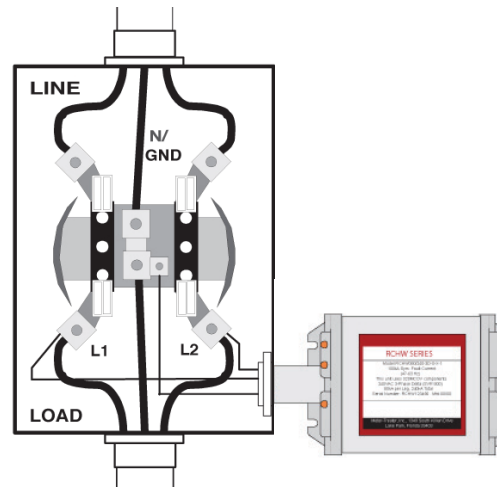
The RCHW is designed specifically for use in a residential utility surge protection program. It is configured for quick and easy parallel installation and requires little maintenance while in service. The high energy handling capabilities of the RCHW is due to the utilization of large diameter MOV technology.

			VPR			
Model Number	Service Voltage	MCOV	L - N	L - G	N - G	L - L
RCHW100/120-2P-0-1	120/240 Split Phase	150	600	--	--	1200

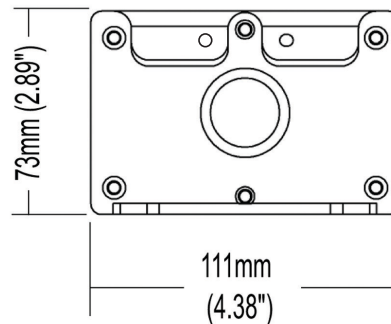
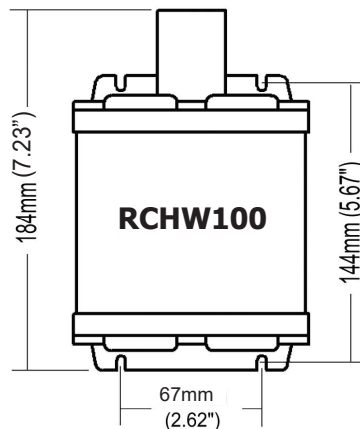
*Other Voltages Available

Product Specifications	
Max Surge Current	100kA per Phase
Safety Approvals	UL 1449 4th Edition & UL 1283
Diagnostics	LED indicator
I _n (nominal repedative impulse current)	20 kA
Short Circuit Protection	Coordinated Surge & Thermal
Short Circuit Current	100kA RMS Symmetrical
Housing Rating	NEMA 4 or 4X (FLEX)
Enclosure	Extruded aluminum with plastic end caps
Flexible Elbow option available	/FLEXELB
Filtering option available	Replace (0) with (F) in model number

Typical Installations



Dimensions (Diagrams not drawn to scale)



All product dimensions provided are ± 0.125in

Meter Treater Inc.: 1349 South Killian Drive • Lake Park, FL 33403

Email: sales@metertreater.com

Sales: 561.845.2007 Toll: Free: 800.638.3788 Fax: 561.848.2372

Website: www.metertreater.com