

M-Ti SLT HEB Series

High Energy Surge Protection Device for Sensors



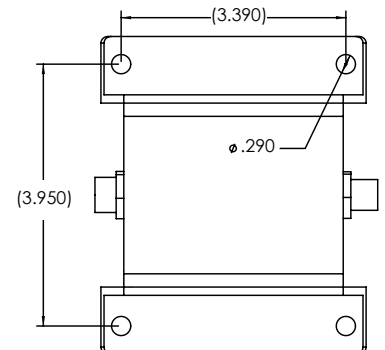
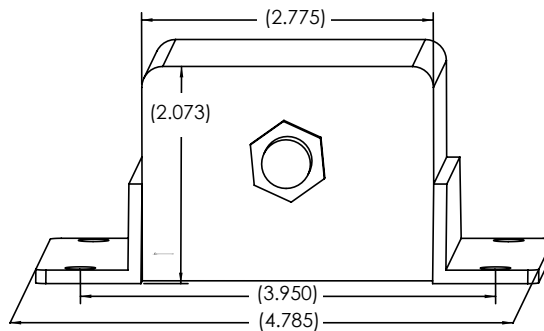
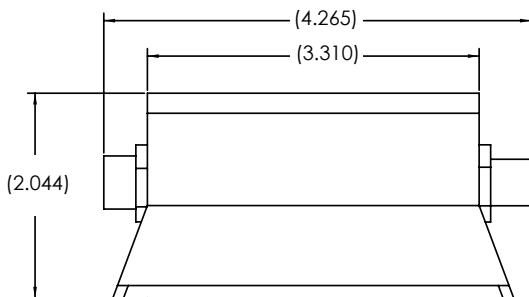
The **SLT/HEB Series** of protectors is available as either a 4, 5, 8, or 10 Wire SPD (surge protective device) unit that will interface directly, in series, with 4 or 5 pin M12/Euro/DC Micro Connectors. Models are **unidirectional** due to connector configuration; where the male connector equals Line Side (unprotected) and the female equals the Load Side (protected). Circuit performance is bidirectional.

Unit is housed in a potted aluminum case with either Zytel plastic or aluminum end caps. An external ground stud is provided in addition to the two (2) grounded mounting brackets that are bolted to the case.

<i>Product Specifications</i>	
Maximum Surge Current	8kA or 10kA
Maximum Operating Voltage	36 Volts DC
Maximum Operating Frequency	15 MHz
Maximum Clamp Voltage	54.4 Volts @ 200 Amps/450 Volts
Surge Technology	High Energy Silicon Avalanche Diode Array (SAD)
Energy Rating/Wire	402.5 Joules
Response Time	<1 Picosecond
UL Flammability Class	94 V-0
Listings & Certifications	UL Listed
Connectors	4 or 5 Pin Rigid M12 Connectors Male & Female (DC Micro - Euro)
Enclosure	Aluminum Extrusion Zytel or Aluminum End Caps
Maximum Operating Temperature	-40°C to 125°C

<i>Model Number</i>	<i>Number of Wires</i>
SLT/HEB-04-1EC-MF/X	4 Wires (1 Connector)
SLT/HEB-05-1EC-MF/X	5 Wires (1 Connector)
SLT/HEB-08-2EC-MF/X	8 Wires (2 Connector)
SLT/HEB-10-2EC-MF/X	10 Wires (2 Connector)

Dimensions (Diagrams not drawn to scale)



All product dimensions provided are ± 0.125

800.638.3788
561.845.2007

sales@metertreater.com



www.metertreater.com



1349 South Killian Drive
Lake Park, FL 33403