

# M-Ti RCHW-PC Series

## The Universal Surge Protection Device



1/2" or 3/4" Nipple Thread available for either the Long or Short side of the enclosure.

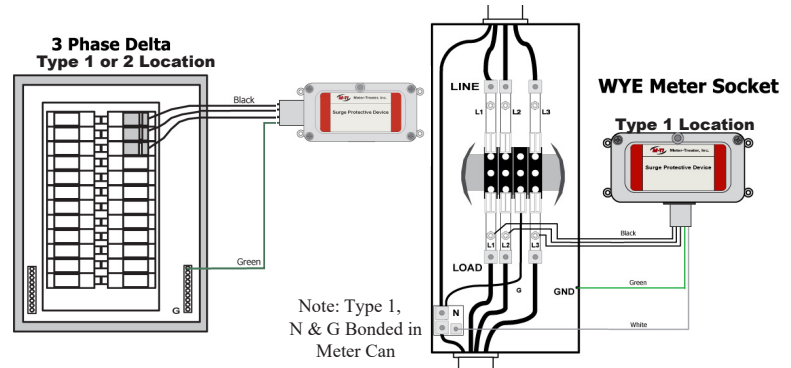
Meter Treater's RCHW-PC Series represents a new era in surge protection with our "one size fits all" application flexibility. All units contain thermal fusing and our "Smart Sensing Technology" that distinguishes between surges and over current events.

This suppressor package meets all current industry standards. The RCHW-PC Series is a Type 1/Type 2 Surge Protection Device (SPD) that is listed to ANSI/UL 1449.

The inventive design, performance and universal application features of the RCHW-PC make it an ideal choice for Residential, Commercial and Industrial applications.

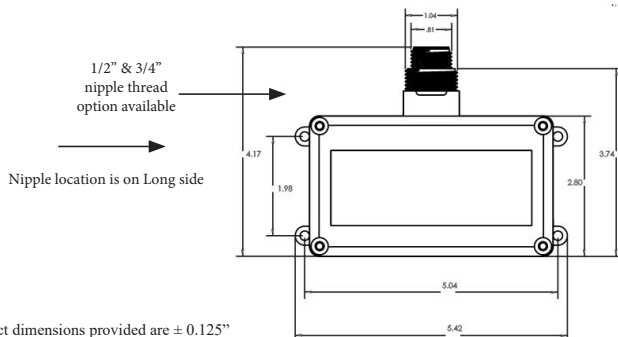
Product Specifications	
$I_n$	10/20kA (Nominal discharge current)
Max Surge Current	50kA per phase
Max Load Current	up to 800 Amps Continuous
Fusing	Thermal and Short Circuit (No external fusing required.)
Short Circuit Current	100kA RMS Symmetrical Amps
Diagnostics	LED
Housing Rating	NEMA 4, 4X, 6
Enclosure	Polycarbonate
Safety Standards	(Type 1 & 2 SPD) ANSI/UL 1449
Operating Frequency	50/60 Hz
Nipple Size	1/2" or 3/4" universal

### Typical Installations

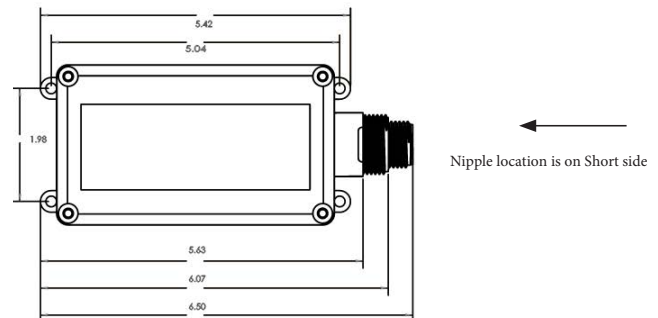


Add /L for Long Nipple and /S for Short Nipple in reference to the nipple location. Add 12 for 1/2" Nipple size and 34 for 3/4" Nipple size.

Model Number	Service Voltage	MCOV	VPR			
			L - N	L - G	N - G	L - L
RCHW050/120-10-0-2-PC	120 Single Phase LNG	150	600	-	600	-
RCHW050/120-1P-0-2-PC	120 Volt LN	150	600	-	-	-
RCHW050/120-SO-0-1-PC	120/240 Volt LLN	150	600	-	-	1200
RCHW050/125-SO-0-1-PC	120/240 Volt LLN	180	600	-	-	1200
RCHW050/120-SP-0-2-PC	120/240 Split LLNG	150	600	1200	600	1200
RCHW050/120-3W-0-2-PC	120/208 Wye LLLNG	150	600	1200	600	1200
RCHW050/120-3H-0-2-PC	120/240 Highleg LHLNG	150/320	600/1000	1200/1800	600	1200/1800
RCHW050/240-3D-0-2-PC	240 Delta LLLG	320	-	1000	-	2000
RCHW050/240-2P-0-1-PC	240 Volt Two Phase LLG	320	-	1000	-	2000
RCHW050/277-3W-0-2-PC	277/480 Wye LLLNG	320	1000	2000	1000	2000
RCHW050/480-3D-0-2-PC	480 Delta LLLG	550	-	1800	-	4000
RCHW100/120-10-0-1-PC	120 Volt Single Phase	150	600	600	1200	-



### Dimensions



All product dimensions provided are ± 0.125"

800.638.3788  
561.845.2007

sales@metertreater.com



www.metertreater.com



1349 South Killian Drive  
Lake Park, FL 33403