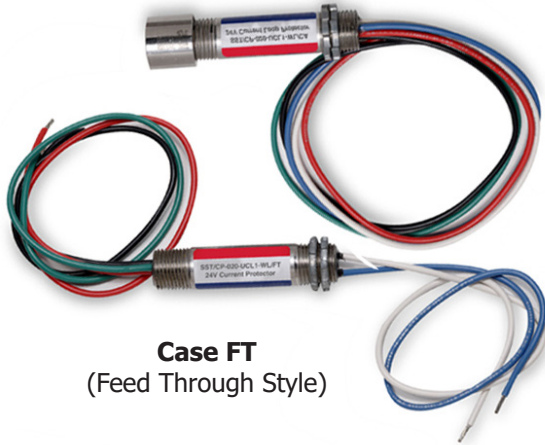


# M-Ti SST Series

## 4-20mA Loop Surge Protection Device



**Case CA**  
(Cap Size)



**Case FT**  
(Feed Through Style)

**Transient Voltage Surge Suppression for discrete signaling 4-20mA protocols.** Units provide protection against any Transient Voltage that exceeds the nominal signaling voltage. Each line is **protected against surge** current impulses **up to 10kA**.

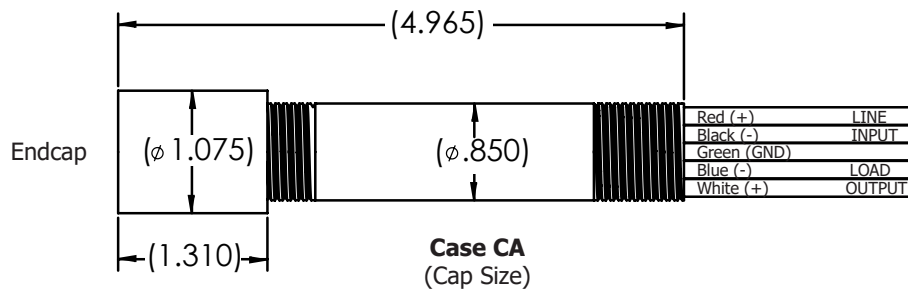
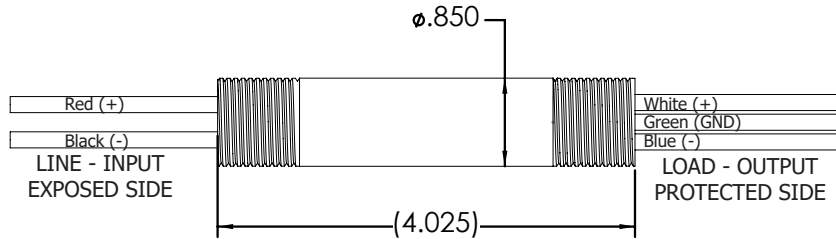
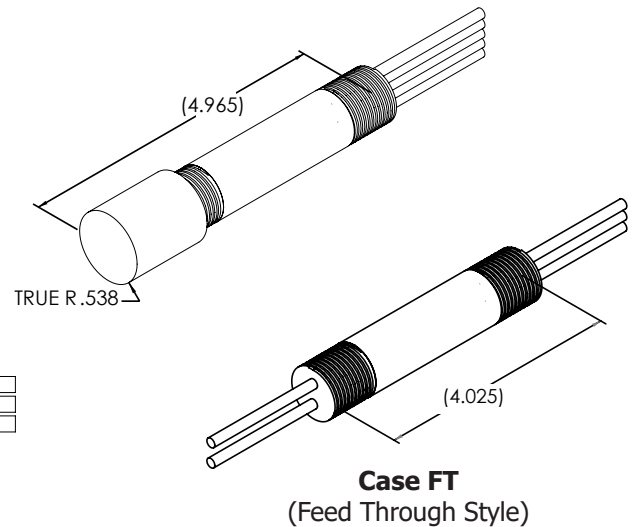
The SST Series is configured to **work in series or parallel** with the measurement/control lines being protected, diverting harmful transient energies while maintaining a tight clamp at the peak voltage. SST Signaling units **protect 1 circuit consisting of 2 wires** (1 pair) plus ground.

Units are designed to operate in a wide temperature range and are ideal for the protection of 4-20mA current loop transducers, and similar instrument/control applications.

Consult the factory with any special package and circuit performance requirements.

<b>Product Specifications</b>	
Maximum Surge Current	10kA per wire
Maximum Operating Voltage	24 or 48 VDC
Response Time	<1 nanosecond
Series Resistance	5.1 Ohms per Wire/Line
Modes of Protection	L-L and L-G
Enclosure	Stainless Steel 316L 1/2" NPT
Connection Method	#16 AWG Tinned Copper Wires
Maximum Operating Temperature	-55°C to 85°C

### Dimensions (Diagrams not drawn to scale)



<b>Model Number</b>	<b>Clamp Voltage</b>	<b>Application</b>	<b>Max. Operating Voltage</b>
SST/CP-020-UCL1-WL/CA	24V Capped	4-20mA loop	24 VAC
SST/CP-020-UCL2-WL/CA	48V Capped	4-20mA loop	48 VAC
SST/CP-020-UCL1-WL/FT	24V Feed Through	4-20mA loop	24 VAC
SST/CP-020-UCL2-WL/FT	48V Feed Through	4-20mA loop	48 VAC

**Available Wire Sizes:** 14 AWG (Standard), 16 AWG (Standard), 18 AWG and 20 AWG  
**Available Ground Wire Sizes:** 16 AWG (Standard) and 18 AWG

All product dimensions provided are ± 0.125

800.638.3788  
561.845.2007

sales@metertreater.com



www.metertreater.com



1349 South Killian Drive  
Lake Park, FL 33403