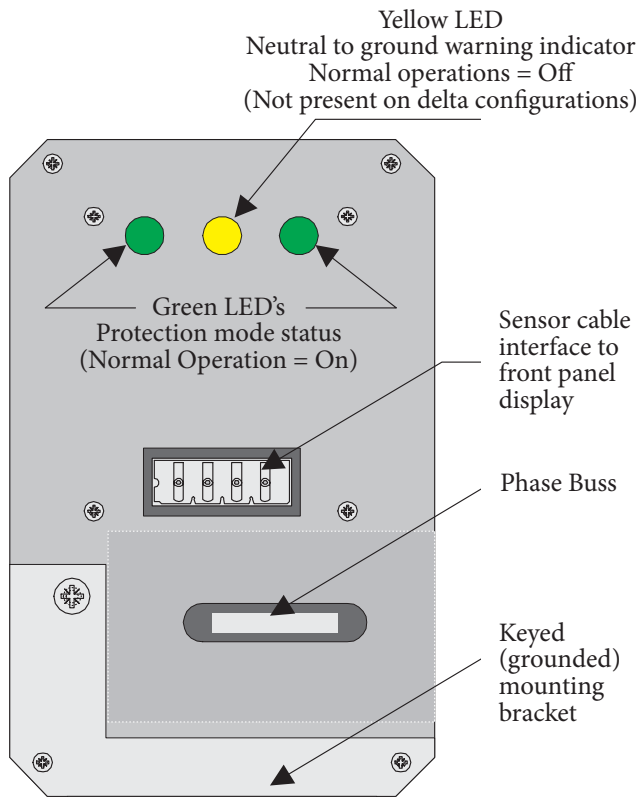


## RPM REMOVAL & REPLACEMENT

1. Make sure the power has been turned off to the MPT unit. Never work on the SPD unit while energized.
2. Disconnect the sensor cable from the RPM module (Ø Side end cap)
3. Remove the 1/4-20 bolts securing the RPM module to the phase and neutral tabs. One bolt at each end of the module. Also remove the compression lug.
4. Remove the (2) #6 screws (1 at each end of the unit) securing the RPM to the back plane PC board.
5. Remove the module from the MPT unit.
6. To mount the replacement module, reverse steps 4,3, and 2. Remember to reinstall the compression lug.
7. Close the MPT door and reconnect power.



## WARRANTY INFORMATION

Meter-Treater, Inc. (MTI) warrants all RPM Series models to be free from defects, and will at our option repair or replace the product should it fail within ten (10) (residential installations) years from the first date of shipment. This warranty is limited to defects in workmanship or materials, and does not cover customer damage, abuse or unauthorized modification. If this product fails or does not perform as specified, your sole recourse shall be repair or replacement as described above. Under no condition shall MTI be liable for any damages incurred by the use of this product. Damages include, but are not limited to, the following: lost profits, lost savings and incidental or consequential damages arising from the use of or inability to use this product. MTI specifically disclaims all other warranties, expressed or implied, and the installation or use of this product shall be deemed an acceptance of these terms by the user.

## WARRANTY RETURNS

All warranty and non-warranty repairs must be returned freight prepaid and insured to MTI. All returns must have a Return Authorization (RA) number on the outside of the shipping container. This number may be obtained from MTI Warranty Department (800) 342-6890. Products returned without an RA number will not be accepted.

IF UNIT(S) ARE RECEIVED DAMAGED,  
NOTIFY THE SHIPPING COMPANY  
IMMEDIATELY. RETAIN ALL SHIPPING  
CONTAINERS AND PACKING MATERIALS FOR  
INSPECTION.

Please Note:  
There are no user serviceable parts inside.



Meter-Treater, Inc.  
1349 South Killian Drive • Lake Park, FL 33403  
Phone: 561.845.2007 • Fax: 561.848.2372  
Email: sales@metertreater.com  
Website: www.metertreater.com

# RPM Series

## USER MANUAL AND INSTALLATION GUIDE

RECOGNIZED  
COMPONENT



Intertek



COMMERCIAL INSTALLATIONS

SURGE PROTECTION DEVICES FOR  
AC POWER APPLICATIONS

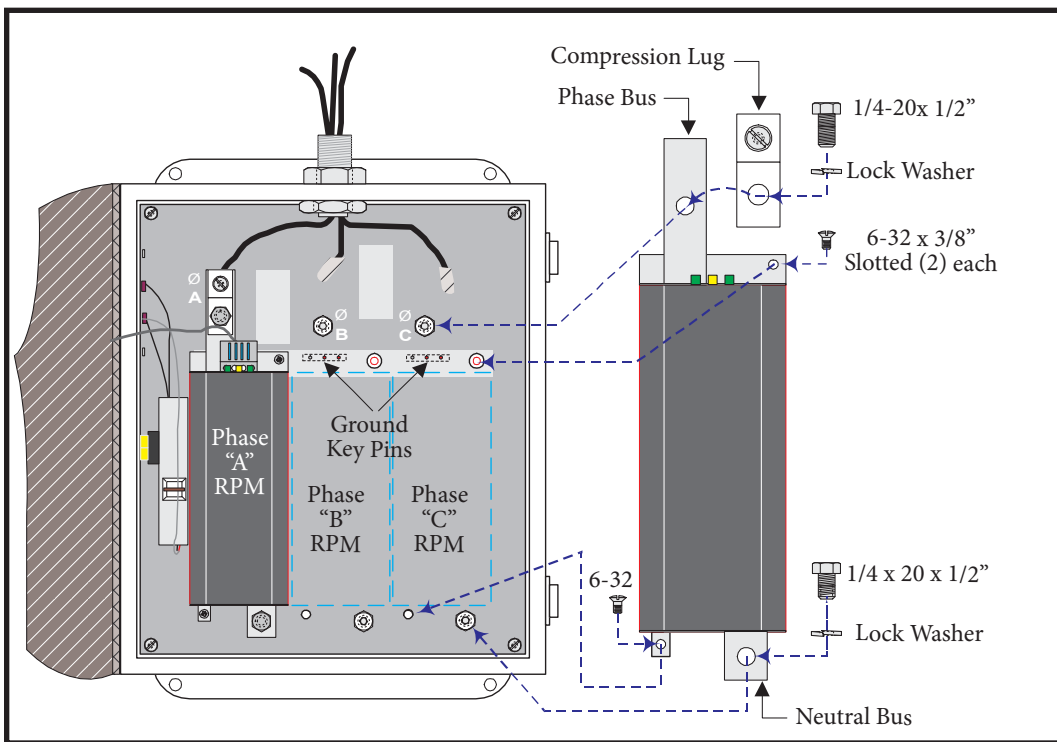


Figure 1: Installation Layout  
The design of the RPM modules and their connection method to the back plane PC board make it physically impossible to install them against their proper polarity.

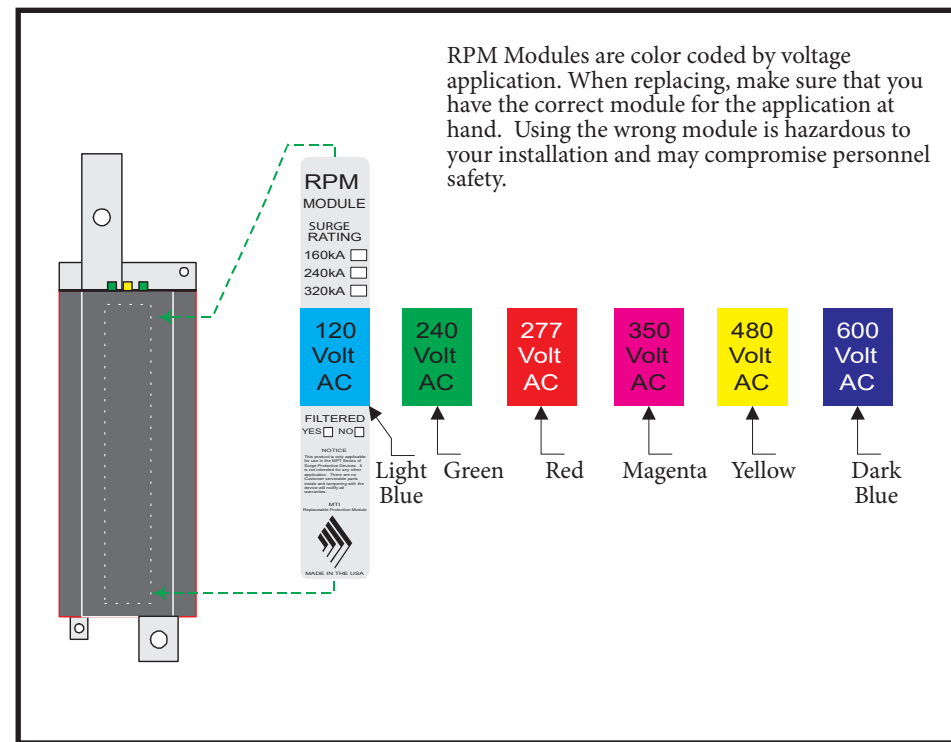


Figure 2: Color Coded Application Labels

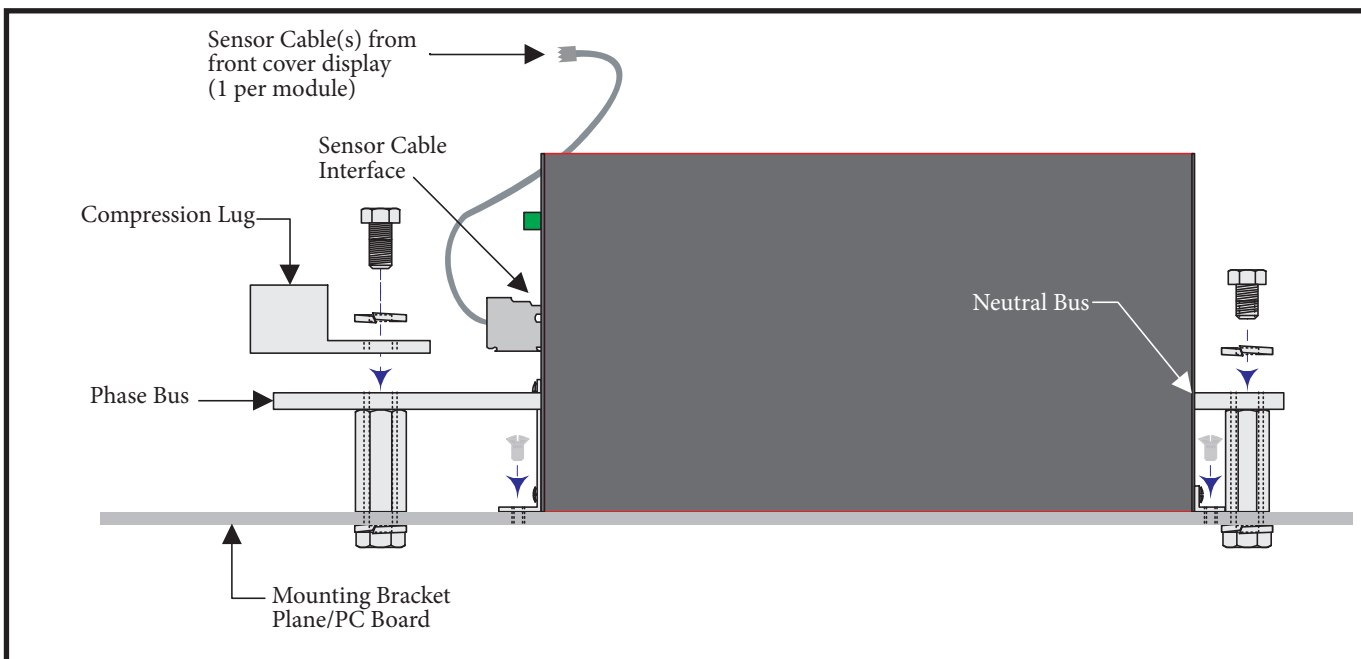


Figure 3: Installation Layout (Side View)

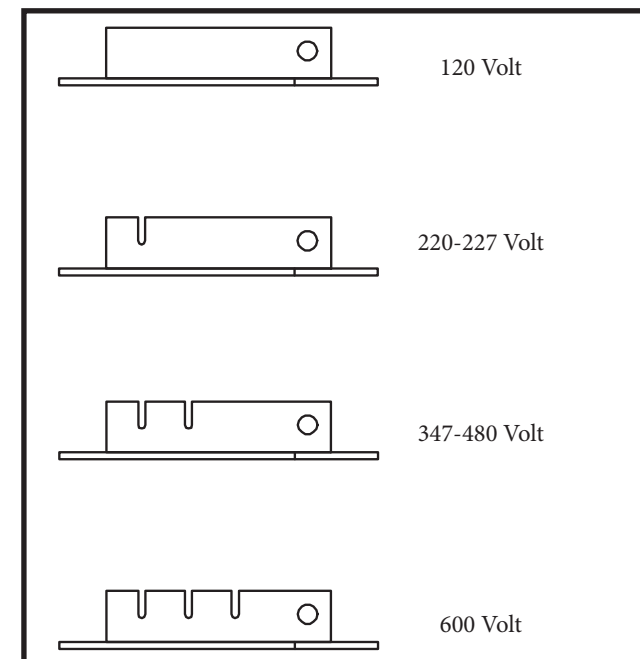


Figure 4: Ground Keyed Application Matrix  
Keyed grounding tabs help to prevent the misapplication of a module to incorrect voltages.