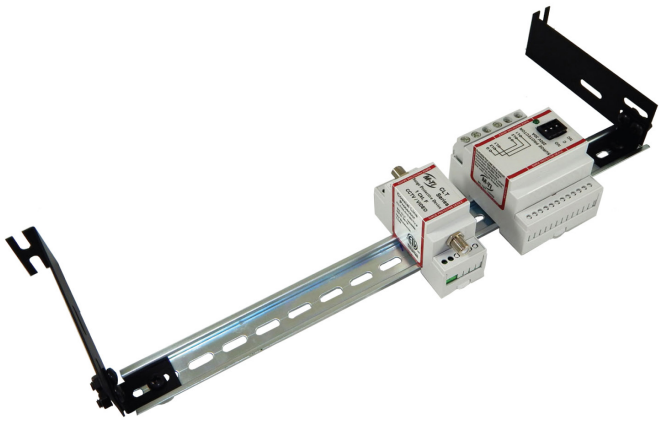


M-Ti DRM-K Series

Din Rail Mounting Kit

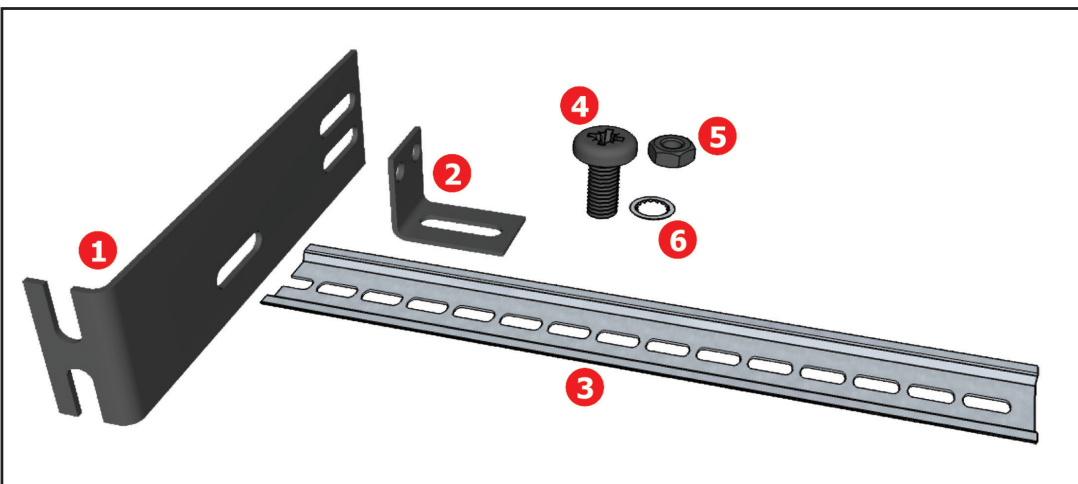
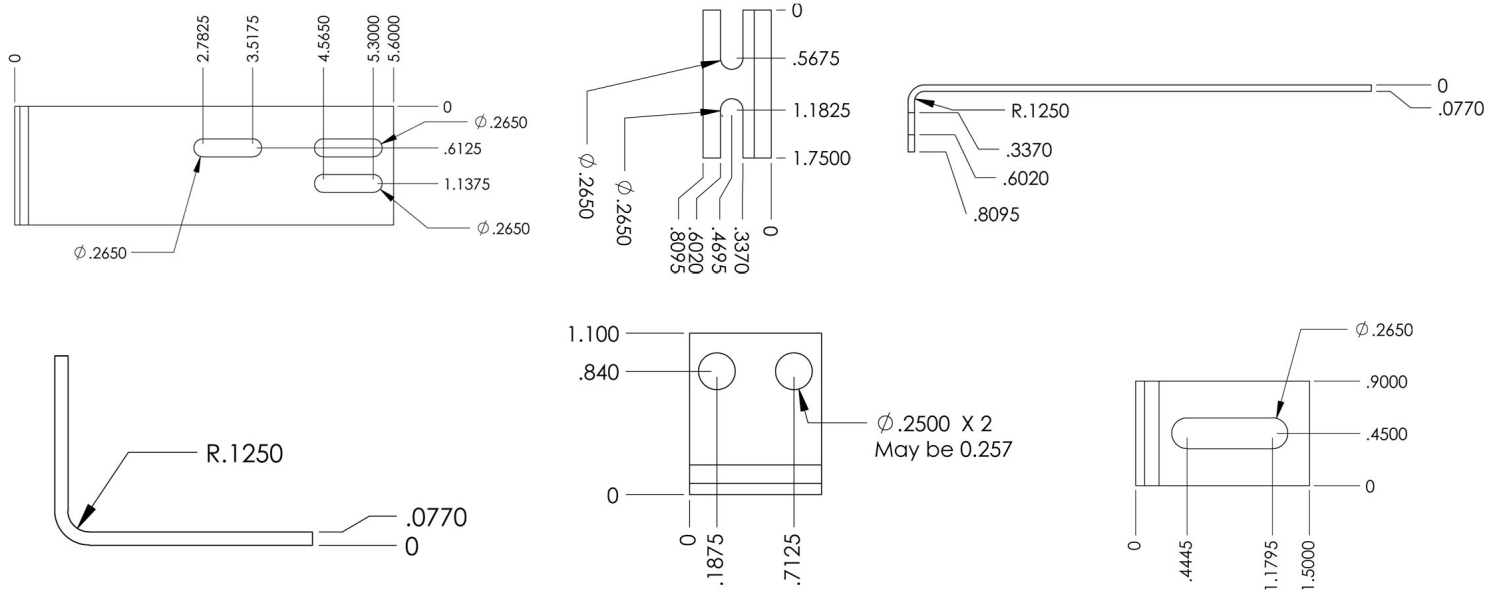


The **CLT Series** provides Bidirectional Transient Voltage Surge Suppression for Coaxial Applications. Units provide protection against Transient Voltages that exceed nominal operating voltages. Devices can protect against surge current impulses up to 10kA/wire.

Models are available to protect **CATV, SATV, CCTV, Digital Modems, Ethernet ThinNet (10 Base 2) and Arcnet**. Consult factory for special applications.

The CLT Series installs in series with the coaxial lines and diverts harmful transient energies away from sensitive system components. Units operate over a wide range of temperatures and interface with standard coaxial protocols.

Dimensions (Diagrams not drawn to scale)



Model#: DRM-K19 Material List

1. Two Rack Brackets (Black Steel)
2. Two Rail Brackets (Black Steel)
3. One Steel Din Rail 17.25 Inches Long
4. Six 1/4" Philips Pan Head (Black)
5. Six 1/4" Nut (Black)
6. Six 1/4" Washer (Black)

(Fits standard 19" Equipment Racks)

All product dimensions provided are ± 0.125

800.638.3788
561.845.2007

sales@metertreater.com



www.metertreater.com



1349 South Killian Drive
Lake Park, FL 33403