



RCHW Series

Residential/Commercial/Light Industrial Surge Protection Device



Weatherproof Top

The RCHW/POL Series provides **high-energy surge protection** and optional **RF filtering** for Residential, Commercial, Industrial and Remote Site applications.

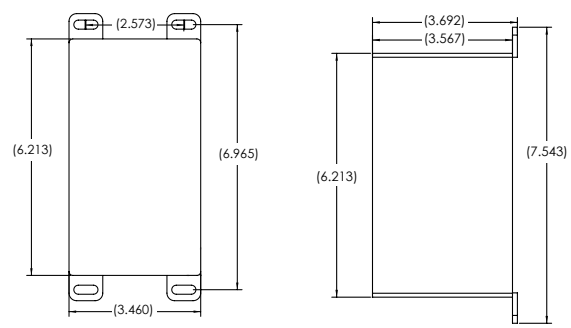
These hardwired units provide superior control over transients by delivering low clamping voltages combined with high surge energy handling capabilities. All RCHW/POL models are Type 1 or Type 2 Surge Protection Devices that are listed to **ANSI/UL 1449**.

They are configured for **quick and easy parallel installation** and require little maintenance while in service. The superior energy handling capabilities of the RCHW/POL Series is due to the utilization of large diameter MOV technology.

The RCHW/POL Series is available for all service voltages and phase configurations and can be equipped with several specialized diagnostic options. All Models have a 100kA RMS symmetrical fault current rating suitable for all IEEE category C locations and are available with surge ratings of 50kA or 100kA per phase.

Dimensions

(Diagrams not drawn to scale)



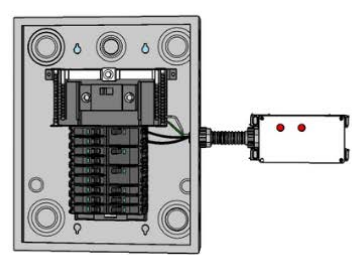
Product Specifications	
Max Surge Current Rating	50kA to 100kA per Phase
Short Circuit Current	100kA RMS Symmetrical Amps
Housing Rating	NEMA 4X Polycarb - Standard
Diagnostics	Red Status LED, SUNBRIGHT
Safety Standards	ANSI/UL1449 (most current)
I _n (nominal discharge current)	20 kA*
Fusing	Coordinated Surge & Thermal

* Devices that are rated 480V delta have a 10kA I_n

Typical Installations

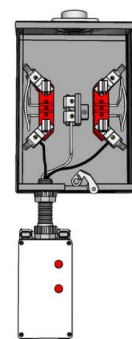
SP Model Shown

3 Pole Breaker



Delta

SO Model Shown



Model Number	Service Voltage	MCOV	L-N	L-G	N-G	L-L
RCHWxxx/120-10-#-1/POL	120 Volt Single Ø	150Vac	600V	600V	600V	N/A
RCHWxxx/120-SP-#-1/POL	120/240 Volt Split Ø	150Vac	600V	600V	600V	1200V
RCHWxxx/120-3W-#-1/POL	120/208 Volt 3Ø Wye	150Vac	600V	600V	600V	1200V
RCHWxxx/120-3H-0-1/POL	120/240 Volt 3Ø Delta	150/320Vac	600/1000V	600/1000V	600V	1200/1800V
RCHWxxx/240-3D-0-1/POL	240 Volt 3Ø Delta	320Vac	N/A	1000V	N/A	2000V
RCHWxxx/220-3W-#-1/POL	220/380 Volt 3Ø Wye	320Vac	1000V	1000V	1000V	2000V
RCHWxxx/230-3W-#-1/POL	230/400 Volt 3Ø Wye	320Vac	1000V	1000V	1000V	2000V
RCHWxxx/240-3W-#-1/POL	240/415 Volt 3Ø Wye	320Vac	1000V	1000V	1000V	2000V
RCHWxxx/277-3W-#-1/POL	277/480 Volt 3Ø Wye	320Vac	1000V	1000V	1000V	2000V
RCHWxxx/480-3D-0-1/POL	480 Volt 3Ø Delta	520Vac	N/A	1800V	N/A	4000V

1. **Replace xxx with:** 050 for 50kA or 100 for 100kA per phase Surge Ratings.
 3. **Options:** Add - TB to the end of the model number for Terminal Block option.

2. **Replace # with:** F if filtering is required (available option on WYE Models only).
 4. **Add:** - DIN to the end of the model number for the Din Rail Mount.

All product dimensions provided are ± 0.125

800.638.3788
561.845.2007

sales@metertreater.com



www.metertreater.com



1349 South Killian Drive
Lake Park, FL 33403