

M-Ti 575-1SL-CEB-320A

Low Profile Meter Based Surge Protection Device For Class 320 Meter Sockets



320 Amp Continuous

The Meter-Treater 575-1SL-CEB is the only available **LOW PROFILE, METER-BASED, SURGE PROTECTION DEVICE** that is **LISTED** for **320AMP CONTINUOUS SERVICE**.

These units are designed for use in class 320 meter sockets and will **NOT** derate a customers service. The 575-1SL-CEB is a Type 1 Surge Protection Device (SPD) that is Listed to **ANSI/UL 1449**. (See product specifications below for complete application details)

This device stops surges right at the electric meter, before they can enter a home or business. The combination of design, performance and safety features in the **METER TREATER** makes it an ideal choice for **Utility Power Quality Programs**. Units are equipped with **SUNBRIGHT® diagnostics** with 1000 MCD LEDs that are fully visible in the brightest sunlight allowing fast and accurate readings in the field. Units also contain **“TP MOVs”** that distinguishes between surges and over current events. The product complies with all current and proposed safety requirements.

This unit incorporates heavy duty conductors that are more than 3 times the mass of 200 amp continuous rated units.

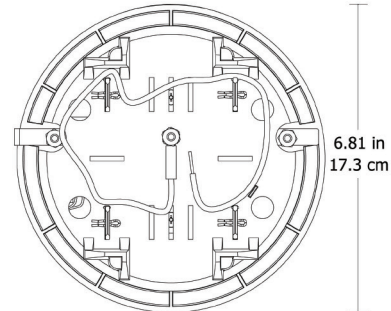
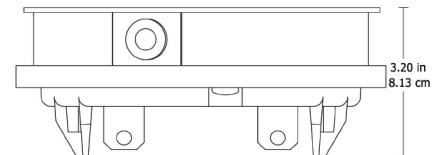
A **15 Year Product Warranty** and concurrent Extended Warranty for downstream white appliances are included†.

Rated for 320 Amp Continuous Service

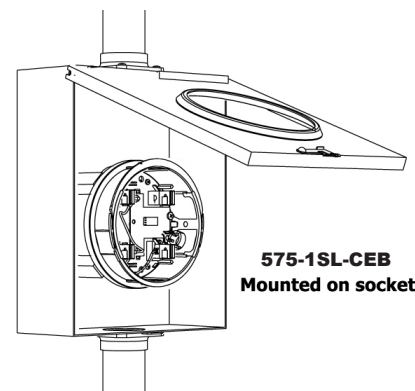
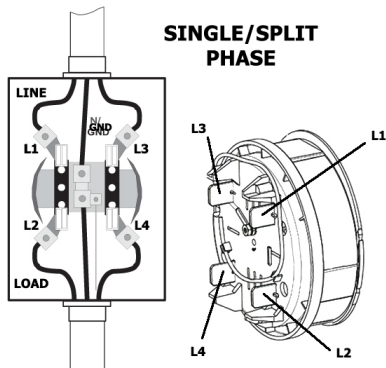
Product Specifications	
Applied Voltage	120/240 Vac (120V L-G)
Max Surge Current	100kA (50kA per phase)
Max Load Current	400Amp (320 continuous)
MCOV	180 Volts
Short Circuit Current	10k RMS Symmetrical Amps
Housing Rating	3R (UL 414) with UV inhibitors
Product Weight	2.1 lbs.
Product Dimensions	3.2" x 6.81" (1.5" installed depth)
Diagnostics*	Red Status LED, SUNBRIGHT
Safety Standards (Type 1 SPD)	UL 1449 (most current)
VPR (Suppressed Voltage)	600 Volts (8x20µs, 6kV/3kA)
I _n (nominal discharge current)	20 kA
Connection Method	Heavy Duty Jaw Blades (4 or 5 Depending on Model)
Surge Technology	MOV
Operating Temperature	-40° to +140°F (-40° to +60°C)10%+-
Operating Frequency	50/60 Hz
†Concurrent extended warranty is only applicable for customers participating in a utility residential surge protection program and for those utilities requesting the extended warranty.	
* Single red LED monitors both phases	

Available Models/Options	
575-1SL-CEB	4 Jaws (Standard)
575-1SL-CEB-5J	5th Jaw for 120/208 Networks

Dimensions (Diagrams not drawn to scale)



Typical Installations



All product dimensions provided are ± 0.125

800.638.3788
561.845.2007

sales@metertreater.com

www.metertreater.com

1349 South Killian Drive
Lake Park, FL 33403