

M-Ti 575 Series

Meter Based Surge Protection Device - Low Profile



The 575 Series Meter Based Surge Protection Devices stop surges right at the electric meter, before they can enter your home or business. These units can be installed in meter sockets up to a 320Amps*. (See product specifications below for complete application details.)

Units are equipped with **SUNBRIGHT® diagnostics** with 1000 MCD LEDs that are fully visible in the brightest sunlight allowing fast and accurate readings in the field.

Units contain “**Smart Sensing Technology**” that distinguishes between surges and overcurrent events. The product complies with all current and proposed safety requirements. The 575 Series of products are Type 1 Surge Protection Devices (SPDs) that are Listed to **ANSI/UL 1449**.

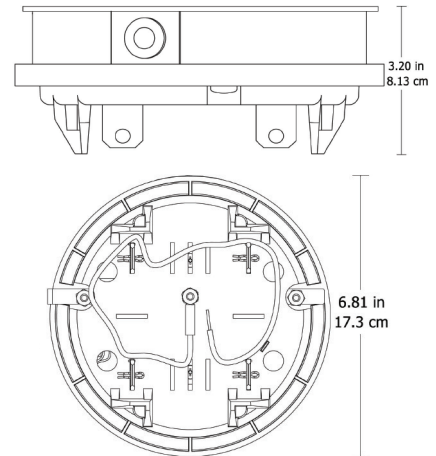
The integration of design, performance and safety features in the **METER TREATER** makes it an ideal choice for Utility Power Quality Programs. A **15 Year Product Warranty** and concurrent **Extended Warranty** for downstream white appliances are included†.

Rated for 260 Amp (320 Max) Continuous Service

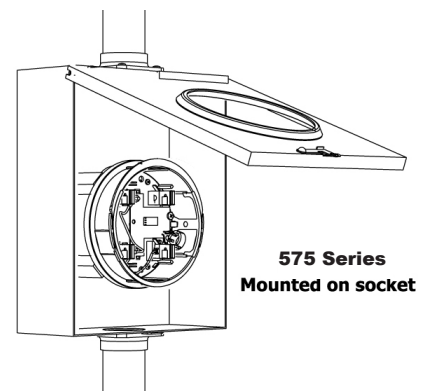
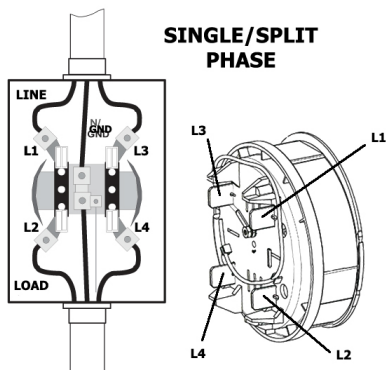
Product Specifications	
Applied Voltage	120/240 Vac (120V L-G)
Max Surge Current	120kA (60kA per phase)
Max Load Current	320 Amps (260 Amps Continuous) attained in HQ4D L&G 250 Amps (200 Amps Continuous) attained in UAT4 L&G
MCOV	150 Volts
Short Circuit Current	10k RMS Symmetrical Amps
Housing Rating	3R (UL 414) with UV inhibitors
Product Weight	1.7 lbs. (575-1SL-A), 1.3 lbs. (575-1SL-AC)
Product Dimensions	3.2” x 6.81” (1.5” installed depth)
Diagnostics*	Red Status LED, SUNBRIGHT
Safety Standards (Type 1 SPD)	UL 1449 (most current)
VPR (Suppressed Voltage)	600 Volts (8x20µs, 6kV/3kA)
I _n (nominal discharge current)	20 kA
Connection Method	Meter Base 4 or 5 Jaw Blades
Surge Technology	40mm MOV Blocks
Operating Temperature	-40° to +140°F (-40° to +60°C)10%+-
Operating Frequency	50/60 Hz
†Concurrent extended warranty is only applicable for customers participating in a utility residential surge protection program and for those utilities requesting the extended warranty. * Single red LED monitors both phases	

Available Models/Options	
575-1SL-A	4 Jaws (Standard)
575-1SL-A-5J	5th Jaw for 120/208 Networks
575-1SL-AC	4 Jaws (Standard) , Lighter weight, one-piece housing
5th Jaw Kit	Kit with single jaw blade and hardware to modify a standard unit

Dimensions (Diagrams not drawn to scale)



Typical Installations



All product dimensions provided are ± 0.125

800.638.3788
561.845.2007

sales@metertreater.com



www.metertreater.com



1349 South Killian Drive
Lake Park, FL 33403