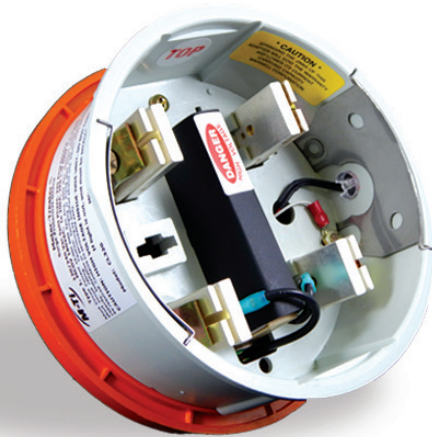


M-Ti CL320 Series

Meter Based Surge Protection Device - Class 320 - Standard



The **CL320 Series Meter Based SPD** is for use in 320 Amp continuous meter sockets and stops surges right at the electric meter, before they can enter your home or business. Suppressing power surges since 1987.

Units are equipped with **SUNBRIGHT® diagnostics** with 1000 MCD LEDs that are fully visible in the brightest sunlight allowing fast and accurate readings in the field.

Units contain “**Smart Sensing Technology**” that distinguishes between surges and overcurrent events. The product complies with all current and proposed safety requirements. The CL320 is a Type 1 Surge Protection Device (SPD) that is Listed to **ANSI/UL 1449**.

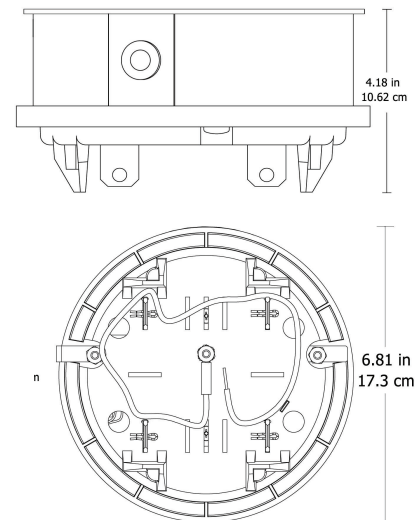
The integration of design, performance and safety features in the **METER TREATER** makes it an ideal choice for Utility Power Quality Programs. A **15 Year Product Warranty** and concurrent Extended Warranty for downstream white appliances are included†.

Rated for 320 Amp (400 Max) Continuous Service

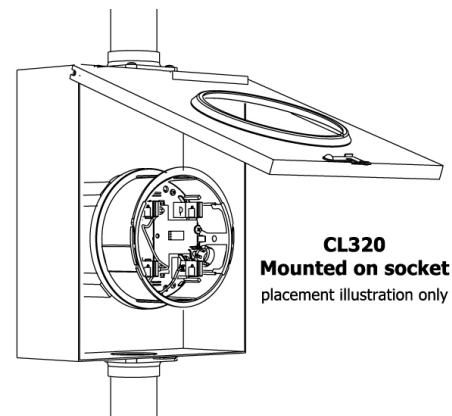
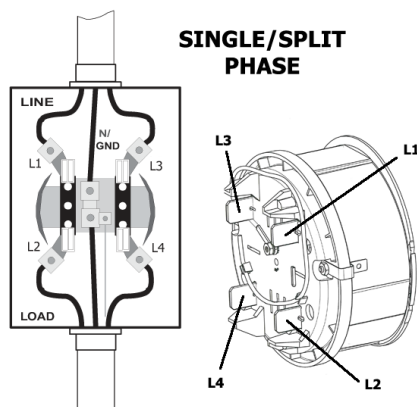
| Product Specifications | |
|--|---------------------------------------|
| Applied Voltage | 120/240 Vac |
| Max Surge Current | 100kA (50kA per phase) |
| Max Load Current | 400 Amps (320 Amps Continuous) |
| MCOV | 180 Volts |
| Short Circuit Current | 10k RMS Symmetrical Amps |
| Housing Rating | 3R (UL 414) with UV inhibitors |
| Product Weight | 3.0 lbs. |
| Product Dimensions | 4.18" x 6.81" (2.45" installed depth) |
| Diagnostics | Red Status LED, SUNBRIGHT |
| Safety Standards (Type 1 SPD) | UL 1449 (most current) |
| VPR (Suppressed Voltage) | 600 Volts (8x20µs, 6kV/3kA) |
| I _n (nominal discharge current) | 20 kA |
| Connection Method | 4 Heavy Duty Machined Jaw Blades |
| Surge Technology | MOV |
| Operating Temperature | -40° to +140°F (-40° to +60°C)10%+- |
| Operating Frequency | 50/60 Hz |
| †Concurrent extended warranty is only applicable for customers participating in a utility residential surge protection program and for those utilities requesting the extended warranty. | |

| Available Models/Options | |
|---------------------------------|--------------------|
| CL320 | 4 Jaws (Standard) |
| CL320-1 | Longer Ground Wire |

Dimensions (Diagrams not drawn to scale)



Typical Installations



CL320
Mounted on socket
placement illustration only

All product dimensions provided are ± 0.125

800.638.3788
561.845.2007

sales@metertreater.com



www.metertreater.com



1349 South Killian Drive
Lake Park, FL 33403